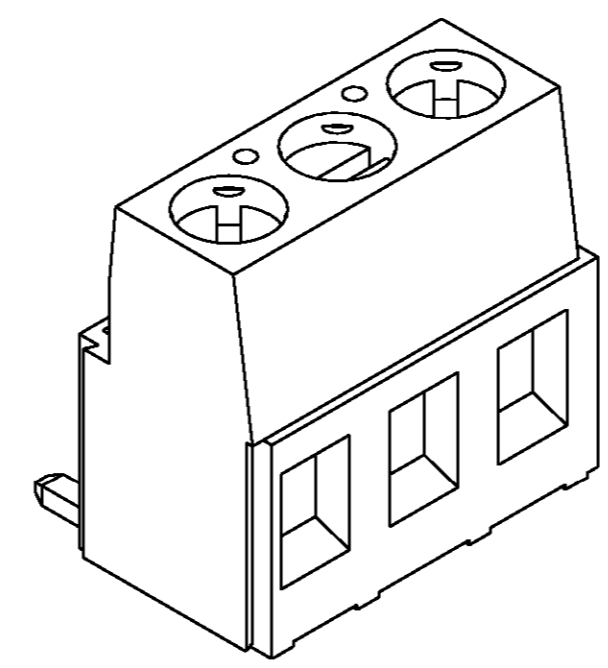
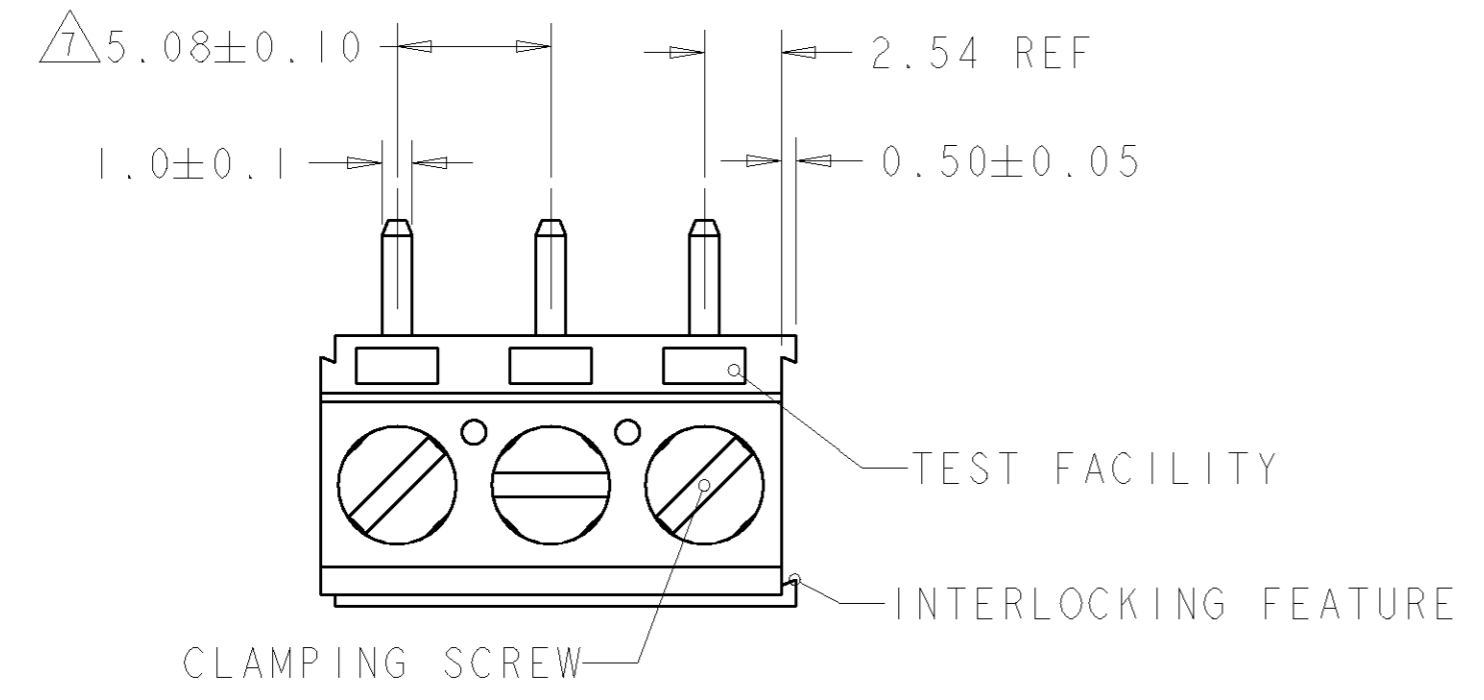


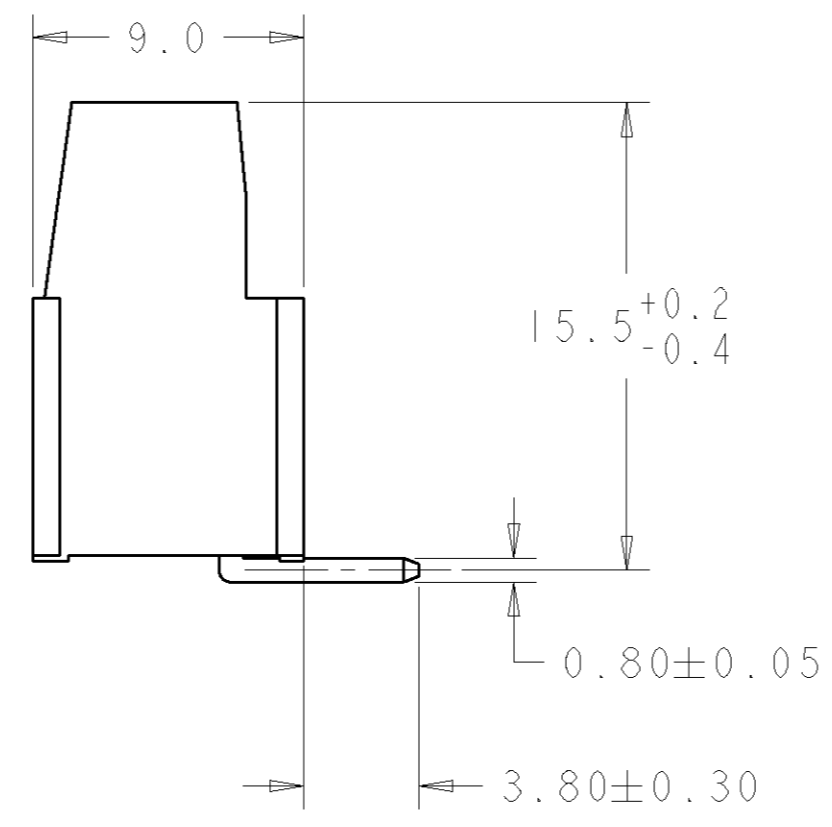
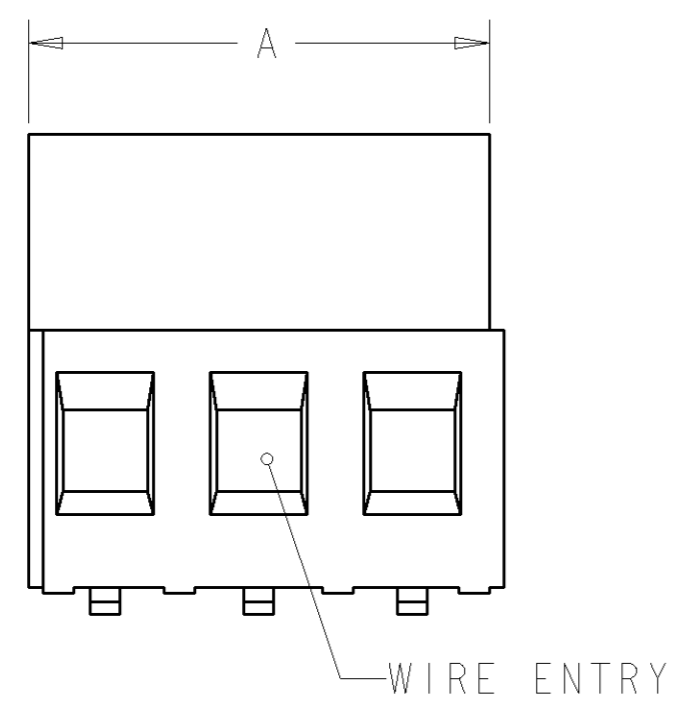
LOC	DIST	REVISIONS			
P	LTR	DESCRIPTION	DATE	DWN	APVD
FT	0				
	A	RELEASED	16AUG2001	EZ	DB
	B	REVISED EC 0G3B-0478-04	30JUN2004	SW	CR



1547063-3 AS SHOWN

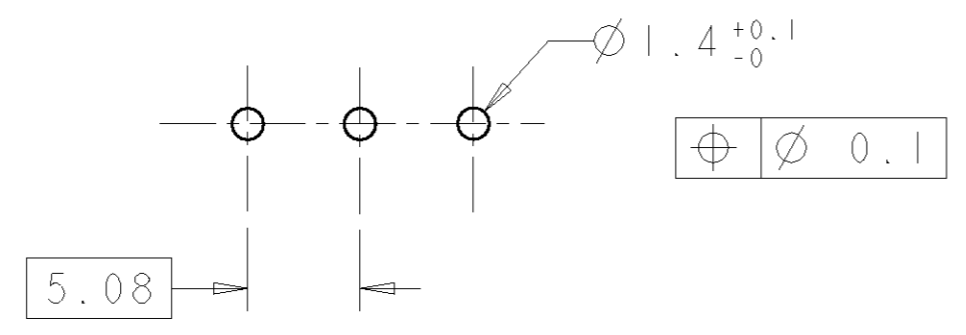


- 1 MATERIALS AND FINISH
HOUSING: PA 6-6, UL 94-V0, COLOR BLACK.
CLAMP: BRASS, NICKEL PLATED.
TERMINAL: BRASS, TIN PLATED.
CLAMPING SCREW: M3, BRASS, NICKEL PLATED.
 - 2 SUITABLE FOR 1,6-2,4mm PC BOARD THICKNESS.
 - 3 END-TO-END STACKABLE W/INTERLOCK WITHOUT LOSS OF CENTERLINE SPACING.
 - 4 WIRE SIZE RANGE
SOLID WIRE: 0,03-2,5mm² (13AWG).
STRANDED WIRE: 0,03-1,5mm² (15AWG).
 - 5 RECOGNIZED UNDER THE COMPONENT PROGRAM OF UNDERWRITERS LABORATORIES INC. FILE N° E60677.
 - 6 IMQ CERTIFICATE WITH SURVEILLANCE IN CONFORMITY WITH IEC 998-1/998-2-1.
- 7 NOT CUMULATIVE TOLERANCE.



127.00	25	2-1546073-5
121.92	24	2-1546073-4
116.84	23	2-1546073-3
111.76	22	2-1546073-2
106.68	21	2-1546073-1
101.60	20	2-1546073-0
96.52	19	1-1546073-9
91.44	18	1-1546073-8
86.36	17	1-1546073-7
81.28	16	1-1546073-6
76.20	15	1-1546073-5
71.12	14	1-1546073-4
66.04	13	1-1546073-3
60.96	12	1-1546073-2
55.88	11	1-1546073-1
50.80	10	1-1546073-0
45.72	9	1546073-9
40.64	8	1546073-8
35.56	7	1546073-7
30.48	6	1546073-6
25.40	5	1546073-5
20.32	4	1546073-4
15.24	3	1546073-3
10.16	2	1546073-2
DIM A	No OF POS.	PART NUMBER

RECOMMENDED PCB LAYOUT



THIS DRAWING IS A CONTROLLED DOCUMENT FOR TYCO ELECTRONICS CORPORATION. IT IS SUBJECT TO CHANGE AND THE CONTROLLING ENGINEERING ORGANIZATION SHOULD BE CONTACTED FOR THE LATEST REVISION.		DWN E. ZANOLINI 16AUG2001	Tyco Electronics Harrisburg, PA 17105-3608	
DIMENSIONS: mm		CHK D. BIEVENOUR 16AUG2001	NAME TERMINAL BLOCK PCB MOUNT TOP ENTRY WIRE, STACKING W/INTERLOCK, 5.08mm PITCH	
TOLERANCES UNLESS OTHERWISE SPECIFIED: 0 PLC ±.2 1 PLC ±.15 2 PLC ±.15 3 PLC ±. 4 PLC ±. ANGLES ±2 FINISH		APVD D. BIEVENOUR 16AUG2001	PRODUCT SPEC 108-20166	
MATERIAL		APPLICATION SPEC 114-20079	RESTRICTED TO -	
1		WEIGHT -	SIZE A2	CAGE CODE 00779
1		DRAWING NO 1546073		REV B
CUSTOMER DRAWING		SCALE 4:1		SHEET 1 OF 1